

 **Ms. CLEAVER** 
creations for a handmade life



Sweetheart Garland

SUPPLIES

Floss (all numbers DMC)

- 1skein in 817 (Red), 899 (Pink) or Ecreu
- OR sewing machine thread in red, white or pink

Fabric & Notions

- 6"/15 cm square pieces of 100% wool felt in the following colors for a garland that is approximately 5 ft (10 ft, 15 ft, 20 ft)/ 1.5 m (3m, 4.5m, 6m) long.
 - Red 2 (4, 6, 8)
 - Pink 1 (2, 3, 4)
 - White 1 (2, 3, 4)

INSTRUCTIONS

Cut each color fabric into pieces the size indicated on the diagrams to the left.

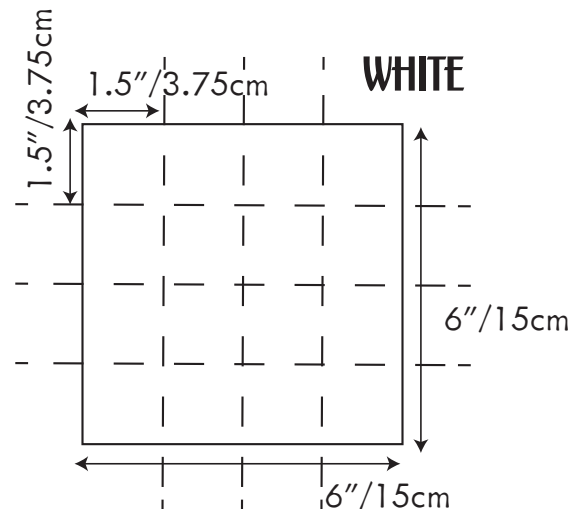
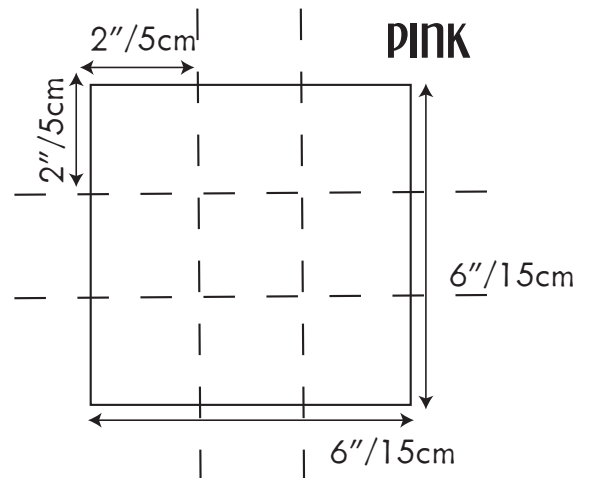
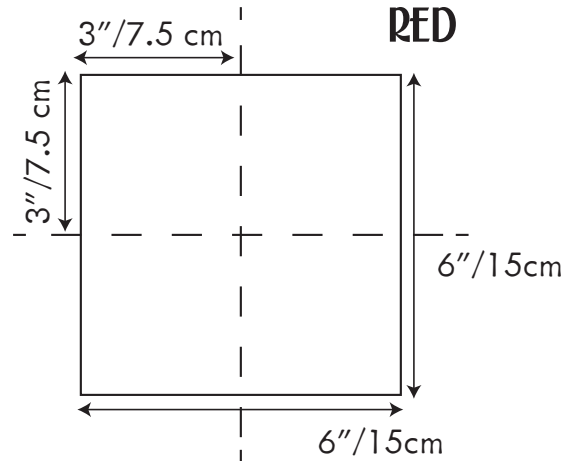
Using the templates*, fold the cut Red and Pink squares in half as indicated and cut out heart shapes.

Using the template*, cut the White squares into circles.

Using a sewing machine or hand needle and embroidery floss, stitch together felt shapes across their middle in the following pattern: red, white, pink, white. Repeat until you run out of shapes. Secure both ends of stitching.

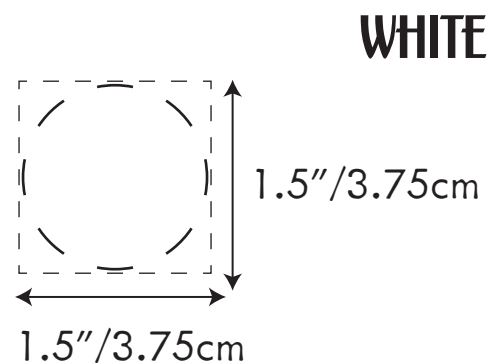
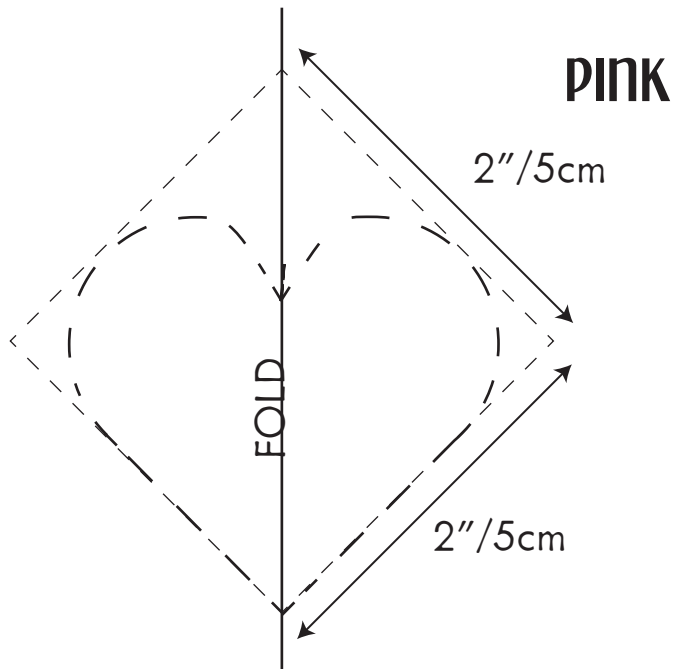
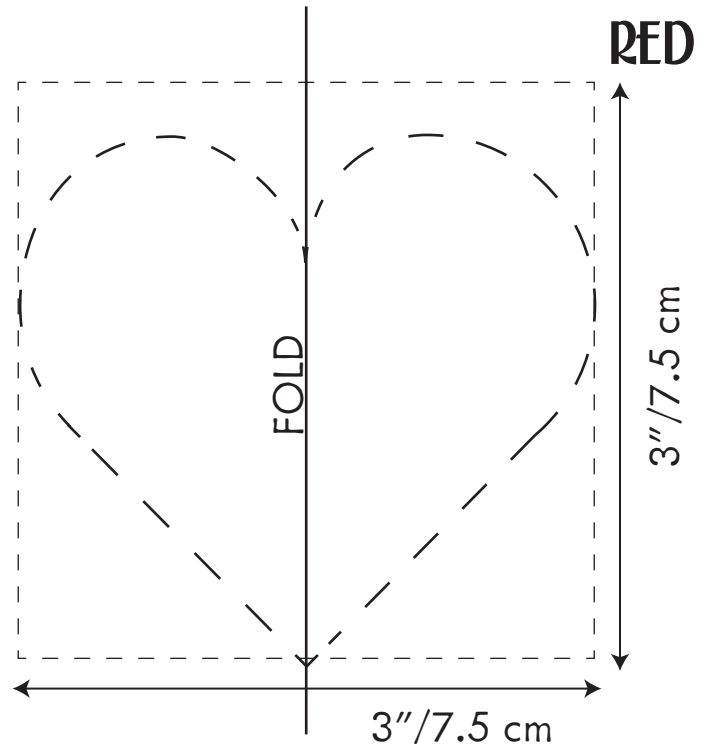
Drape your garland in a festive location & enjoy!

**Sample in photos was cut freehand - so do as you will!*



TEMPLATES

Actual Size
Print at 100%



You've just made something wonderful, now share it!

Use #mscleavercreations to share photos of your finished creations on Instagram or tag me @MsClever

Visit www.MsClever.com to find your next project!